



Name	SB015 IP65 on-off 13x19.2mm
Rated Range	6A 250VAC
Contact resistance	$\leq 50\text{m}\Omega$
Insulation resistance	$\geq 1000\text{M}\Omega$
Compressive strength	1500VAC 50Hz, 1Min
Electrical life	10000time
Mechanical life	10000time
Press power	2N~8N
Operating temperature	-25°C ~ +55°C
Degree of protection	IP65
Hypothermia	-25°C

Weldability

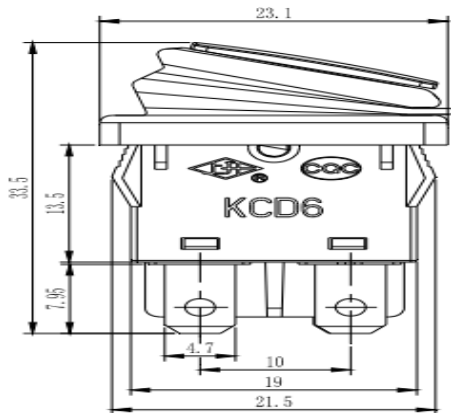
$\leq 320^{\circ}\text{C}$, $\leq 3\text{S}$

Resistance to soldering heat pick

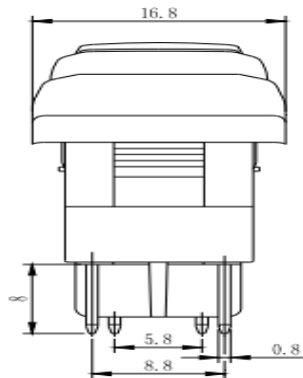
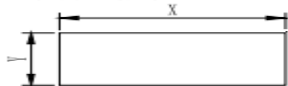
$\leq 320^{\circ}\text{C}$, $\leq 3\text{S}$

Material

PA66



安装孔参考尺寸:



Z: 安装面板厚度

Z	X	Y
0.75-1.25	$19.4^{+0.1}_0$	$13.1^{+0.1}_0$
1.25-2.00	$19.5^{+0.1}_0$	$13.1^{+0.1}_0$
2.00-3.00	$19.6^{+0.1}_0$	$13.1^{+0.1}_0$

RUICHI